

- (1) 310315 - SFES PRO, Triple Head
- (3) 310382 - SFES PRO, SDS-10 Cartridge

### System Summary

The **SFES PRO** SDS-10 Triple System provides excellent sediment filtration and mineral scale control for ice machines.

This cartridge utilizes a premium high grade polypropylene filter ensuring high flow rates and treatment volumes.

The SDS-10 Cartridge also incorporates the patented HydroBlend™/ScaleStick™ scale control insert providing unparalleled mineral scale prevention and corrosion control for predictable treatment periods.



### Benefits

Mineral scale buildup responsible for increased maintenance is reduced

Removes sediment that causes cloudy ice and plugs distribution tubes and float valves

Energy efficiency and machine life are increased while reducing costly service calls

### Features

Bayonet style quick disconnect cartridge makes filter replacement sanitary, quick and easy

Compact design facilitates system placement and installation

HydroBlend™/ScaleStick™ insert provides optimum scale prevention and a consistent feed throughout the life of the cartridge

### Installation Summary

Place system in an accessible location for ease of filter replacement

Ensure that the system is mounted vertically with a minimum of 2" clearance from the bottom of the system to allow for filter replacement

Cold water inlet feed only

Do not over tighten fittings

### Operating Tips

Recommended cartridge replacement every 6 months

### Application

Ice Machines

### System Specifications

#### Rated Service Flow

4.95 gpm. (18.73 lpm.)

#### Micron Rating

5 Micron

#### Operating Pressure

30 - 125 psi. (2 - 8.6 bar) non-shock

#### Operating Temperature

35° - 100°F (2° - 38°C)

#### Connection Size

1/2" MNPT

#### Shipping Weight

9 lbs.

#### System Dimensions

15.25" x 14" x 4" (HxWxD)

\*Width w/ 1/2" Male Fittings: 16"

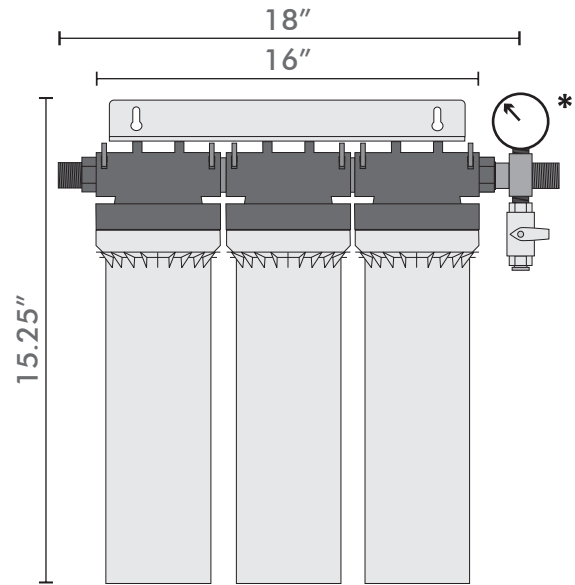
\*Width w/ 1/2" Cross Kit: 18"

### Warranty

**PRO** systems are covered by a limited warranty against defects in material or workmanship for a period of 1 year after the date of purchase.

**PRO** replacement filters are covered by a limited warranty against defects in material or workmanship for a period of 1 year after the date of purchase.

Please call 1-800-935-8500 for further warranty information.



#### Replacement Filter(s)

(3) 310382 - PRO SDS-10 Cartridge

#### \* Additional Accessory

(1) 310332 - 1/2" Cross Kit w/ Valve & Gauge

### Additional Info

Do not use with water that is microbiologically unsafe or unknown quality without adequate disinfection before or after the system

System should be installed in compliance with state and local laws and regulations.