

- (1) 310312 - SFES PRO, Twin Head
- (2) 310380 - SFES PRO, SD-10 Cartridge

System Summary

The **SFES PRO** SD-10 Twin System provides excellent sediment, dirt and rust particulate removal as a pre-filter to any ice, beverage or cooking system.

This cartridge utilizes a premium high grade polypropylene filter ensuring high flow rates and treatment volumes.



Benefits

Economical solution for pre-filtration

Features

Bayonet style quick disconnect cartridge makes filter replacement sanitary, quick and easy

Compact design facilitates system placement and installation

Installation Summary

Place system in an accessible location for ease of filter replacement

Ensure that the system is mounted vertically with a minimum of 2" clearance from the bottom of the system to allow for filter replacement

Cold water inlet feed only

Do not over tighten fittings

Operating Tips

Recommended cartridge replacement every 6 months

Application

Pre-Filtration

- (1) 310312 - SFES PRO, Twin Head
- (2) 310380 - SFES PRO, SD-10 Cartridge

System Specifications

Rated Service Flow

3.3 gpm. (12.49 lpm.)

Micron Rating

5 Micron

Operating Pressure

30 - 125 psi. (2 - 8.6 bar) non-shock

Operating Temperature

35° - 100°F (2° - 38°C)

Connection Size

1/2" MNPT

Shipping Weight

6 lbs.

System Dimensions

15.25" x 9" x 4" (HxWxD)

*Width w/ 1/2" Male Fittings: 11"

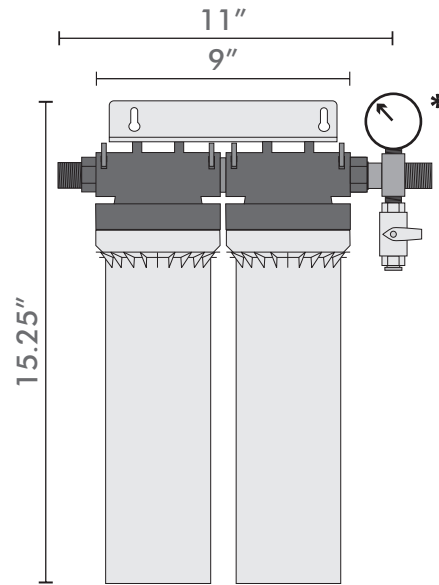
*Width w/ 1/2" Cross Kit: 13"

Warranty

PRO systems are covered by a limited warranty against defects in material or workmanship for a period of 1 year after the date of purchase.

PRO replacement filters are covered by a limited warranty against defects in material or workmanship for a period of 1 year after the date of purchase.

Please call 1-800-935-8500 for further warranty information.



Replacement Filter(s)

- (2) 310380 - PRO SD-10 Cartridge

* Additional Accessory

- (1) 310332 - 1/2" Cross Kit w/ Valve & Gauge

Additional Info

Do not use with water that is microbiologically unsafe or unknown quality without adequate disinfection before or after the system

System should be installed in compliance with state and local laws and regulations.