

- (1) SFES PRO, Single Head
- (1) 310384 - SFES PRO, SD-16 Cartridge

### System Summary

The **SFES PRO** SD-16 Single System provides excellent sediment, dirt and rust particulate removal as a pre-filter to any ice, beverage or cooking system.

This cartridge utilizes a premium high grade polypropylene filter ensuring high flow rates and treatment volumes.

The **SFES PRO** Single Head is available in 3 different connections: 3/8" MNPT (310303), 3/8" FNPT (310306) & 3/8" QD Push Connect (310309)



### Benefits

Economical solution for pre-filtration

### Features

Bayonet style quick disconnect cartridge makes filter replacement sanitary, quick and easy

Compact design facilitates system placement and installation

### Installation Summary

Place system in an accessible location for ease of filter replacement

Ensure that the system is mounted vertically with a minimum of 2" clearance from the bottom of the system to allow for filter replacement

Cold water inlet feed only

Do not over tighten fittings

### Operating Tips

Recommended cartridge replacement every 6 months

### Application

Pre-Filtration

- (1) SFES PRO, Single Head
- (1) 310384 - SFES PRO, SD-16 Cartridge

### System Specifications

#### Rated Service Flow

2.0 gpm. (7.57 lpm.)

#### Micron Rating

5 Micron

#### Operating Pressure

30 - 125 psi. (2 - 8.6 bar) non-shock

#### Operating Temperature

35° - 100°F (2° - 38°C)

#### Connection Size

3/8" MNPT, FNPT, QD Push Connect

#### Shipping Weight

3 lbs.

#### System Dimensions

20.85" x 4" x 4" (HxWxD)

\*Width w/ 3/8" Male Fittings: 6"

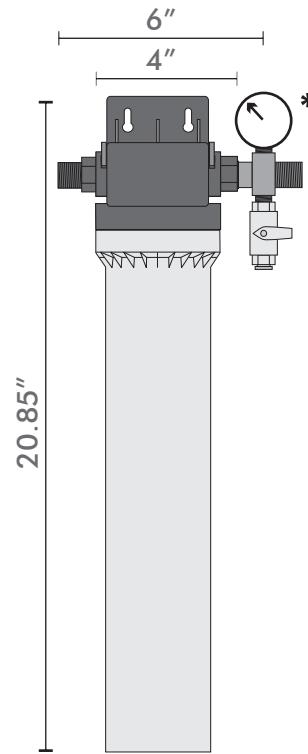
\*Width w/ 3/8" Cross Kit: 8"

### Warranty

**PRO** systems are covered by a limited warranty against defects in material or workmanship for a period of 1 year after the date of purchase.

**PRO** replacement filters are covered by a limited warranty against defects in material or workmanship for a period of 1 year after the date of purchase.

Please call 1-800-935-8500 for further warranty information.



#### Replacement Filter(s)

- (1) 310384 - PRO SD-16 Cartridge

#### \* Additional Accessory

- (1) 310338 - 3/8" Cross Kit w/ Valve & Gauge

### Additional Info

Do not use with water that is microbiologically unsafe or unknown quality without adequate disinfection before or after the system

System should be installed in compliance with state and local laws and regulations.