

System Summary

The **SFES PRO** TOC-10 Twin System provides excellent sediment filtration, chlorine and chloramine removal for beverage related equipment such as soda systems, juice machines and drinking water

The system utilizes a premium high grade carbon block filter that specializes in higher sediment loading capacity ensuring great tasting drinking water and beverages.



Benefits

- Consistent high quality and great tasting beverages
- Reduced costs since costly over compensation of syrup is not needed to mask chlorine taste
- Higher beverage carbonation increasing effervescence helping eliminate flat drinks
- Removes chlorine and chloramines to improve taste and reduce potential corrosion issues

Features

- Bayonet style quick disconnect cartridge makes filter replacement sanitary, quick and easy
- Compact design facilitates system placement and installation

Installation Summary

- Place system in an accessible location for ease of filter replacement
- Ensure that the system is mounted vertically with a minimum of 2" clearance from the bottom of the system to allow for filter replacement
- Cold water inlet feed only
- Do not over tighten fittings

Operating Tips

- Recommended cartridge replacement every 6 months

Application

- Drinking Water
- Soda Systems
- Juice Machines

System Specifications

Rated Service Flow

3.3 gpm. (12.49 lpm.)

Rated Capacity

20,000 gal. (Chlorine Removal)
7,000 gal. (Chloramine Removal)

Operating Pressure

30 - 125 psi. (2 - 8.6 bar) non-shock

Operating Temperature

35° - 100°F (2° - 38°C)

Connection Size

1/2" MNPT

Shipping Weight

6 lbs.

System Dimensions

15.25" x 9" x 4" (HxWxD)

*Width w/ 1/2" Male Fittings: 11"

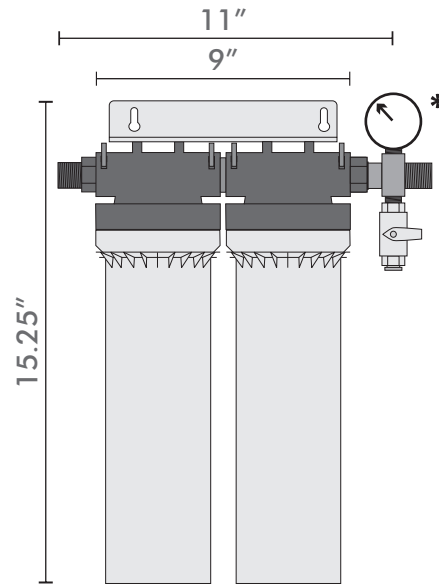
*Width w/ 1/2" Cross Kit: 13"

Warranty

PRO systems are covered by a limited warranty against defects in material or workmanship for a period of 1 year after the date of purchase.

PRO replacement filters are covered by a limited warranty against defects in material or workmanship for a period of 1 year after the date of purchase.

Please call 1-800-935-8500 for further warranty information.



Replacement Filter(s)

(2) 310371 - PRO TOC-10 Cartridge

* Additional Accessory

(1) 310332 - 1/2" Cross Kit w/ Valve & Gauge

Additional Info

Do not use with water that is microbiologically unsafe or unknown quality without adequate disinfection before or after the system

System should be installed in compliance with state and local laws and regulations.