

- (1) 310315 - SFES PRO, Triple Head
- (3) 310371 - SFES PRO, TOC-10 Cartridge

### System Summary

The **SFES PRO** TOC-10 Triple System provides excellent sediment filtration, chlorine and chloramine removal for beverage related equipment such as soda systems, juice machines and drinking water

The system utilizes a premium high grade carbon block filter that specializes in higher sediment loading capacity ensuring great tasting drinking water and beverages.



### Benefits

- Consistent high quality and great tasting beverages
- Reduced costs since costly over compensation of syrup is not needed to mask chlorine taste
- Higher beverage carbonation increasing effervescence helping eliminate flat drinks
- Removes chlorine and chloramines to improve taste and reduce potential corrosion issues

### Features

- Bayonet style quick disconnect cartridge makes filter replacement sanitary, quick and easy
- Compact design facilitates system placement and installation

### Installation Summary

- Place system in an accessible location for ease of filter replacement
- Ensure that the system is mounted vertically with a minimum of 2" clearance from the bottom of the system to allow for filter replacement
- Cold water inlet feed only
- Do not over tighten fittings

### Operating Tips

- Recommended cartridge replacement every 6 months

### Application

- Drinking Water
- Soda Systems
- Juice Machines

- (1) 310315 - SFES PRO, Triple Head
- (3) 310371 - SFES PRO, TOC-10 Cartridge

### System Specifications

#### Rated Service Flow

4.95 gpm. (18.73 lpm.)

#### Rated Capacity

30,000 gal. (Chlorine Removal)

10,500 gal. (Chloramine Removal)

#### Operating Pressure

30 - 125 psi. (2 - 8.6 bar) non-shock

#### Operating Temperature

35° - 100°F (2° - 38°C)

#### Connection Size

1/2" MNPT

#### Shipping Weight

9 lbs.

#### System Dimensions

15.25" x 14" x 4" (HxWxD)

\*Width w/ 1/2" Male Fittings: 16"

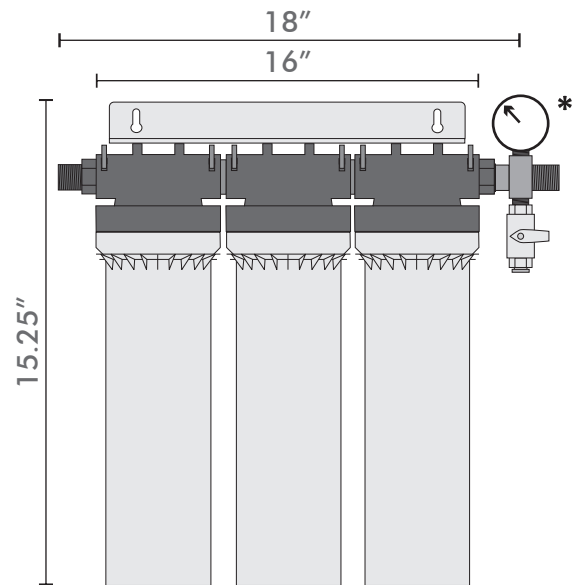
\*Width w/ 1/2" Cross Kit: 18"

### Warranty

**PRO** systems are covered by a limited warranty against defects in material or workmanship for a period of 1 year after the date of purchase.

**PRO** replacement filters are covered by a limited warranty against defects in material or workmanship for a period of 1 year after the date of purchase.

Please call 1-800-935-8500 for further warranty information.



#### Replacement Filter(s)

- (3) 310371 - PRO TOC-10 Cartridge

#### \* Additional Accessory

- (1) 310332 - 1/2" Cross Kit w/ Valve & Gauge

### Additional Info

Do not use with water that is microbiologically unsafe or unknown quality without adequate disinfection before or after the system

System should be installed in compliance with state and local laws and regulations.