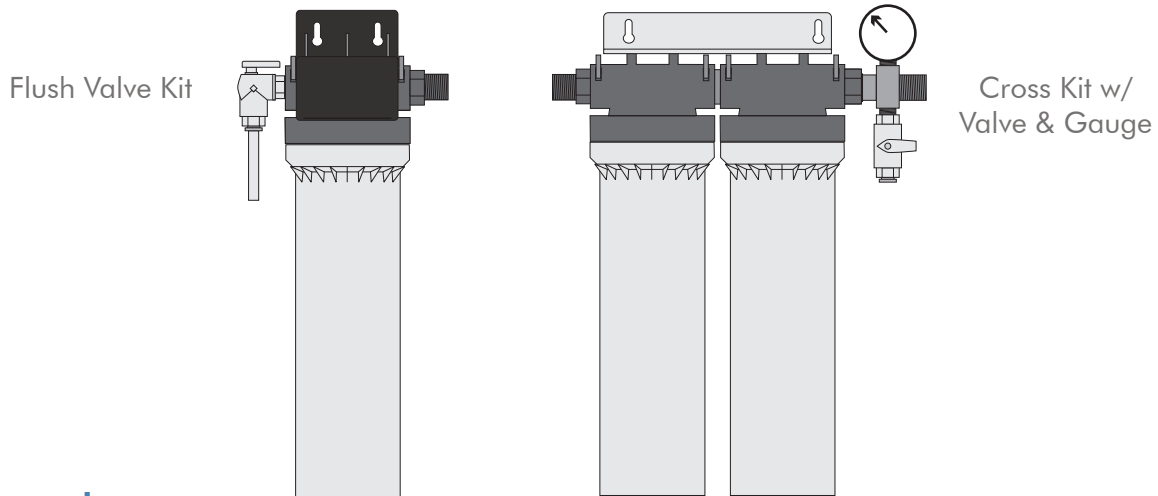


Fitting Connections

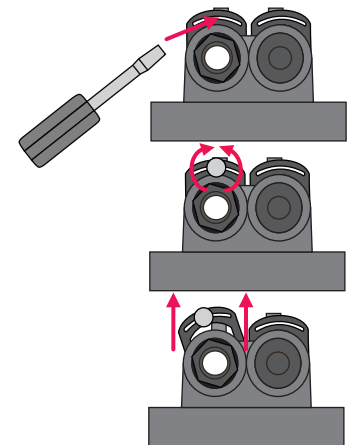
SFES PRO filter systems are available in several different fitting connections. These proprietary fittings come in 3/8" FNPT, MNPT, Push Connect & 1/2" MNPT. All manifolded head systems come standard with 1/2" MNPT fittings. Additional accessories such as a solo flush valve kit and a cross kit that includes a pressure gauge and flush valve are also available. The cross kit comes in two different size connections: 3/8" MNPT & 1/2" MNPT.



Fitting Removal

To relocate or replace SFES PRO fittings, follow the steps below.

1. Insert the end of a flathead screwdriver into the top slit of the Locking U-Clip.
2. Gently rotate the screwdriver so one of the U-Clip legs dislodges from the locking slot. This may require a few back and forth rotations to until the U-Clip can be completely removed.
3. Remove the existing fitting and replace it with the desired fitting. Push the new one completely into the port then reinsert the U-Clip into the locking slot by pressing it firmly straight down. A little tap may be required to seat it correctly so that it clicks in place.



Fitting List

ITEM #	INLET/OUTLET CONNECTIONS	ITEM #	ACCESSORY LIST
501803	End Plug	310330	Flush Valve Kit
501805	Union Connector	310332	1/2" Cross Kit w/ Pressure Gauge & Flush Valve
501807	Union Plug	310338	3/8" Cross Kit w/ Pressure Gauge & Flush Valve
501812	1/2" MNPT Fitting	ITEM #	ADDITIONAL ACCESSORIES
501814	3/8" MNPT Fitting	401800	Head w/o Fittings or Mounting Bracket
501816	3/8" FNPT Fitting	501801	Locking U-Clip
501818	3/8" QD Push Connect Fitting	502019	Universal O-Ring for all Fittings